

TREE bar unit



TREE bar unit _ Mobile bar in laccato lucido Nuances Bellavista Collection con dettaglio centrale in asse di Frassino Olivato. Dettaglio interno. | Bar unit in lacquered glossy finish Nuances Bellavista Collection with central detail in Solid Olive Ashwood. Inner detail view.



TREE bar unit _ Dettaglio dell'interno: cassetti con frontali rivestiti in cuoio e top in marmo Carrara. | Inner view detail: drawers with frontals padded in belting leather and top in Carrara marble.



TREE bar unit _ Dettaglio maniglia. | Handle detail.



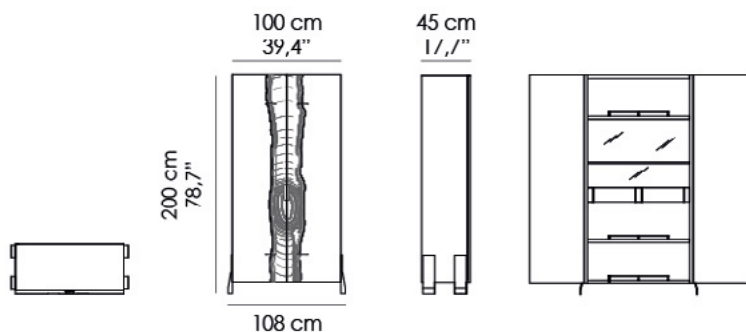
TREE bar unit_ Piedini in fusione d'ottone martellinato, finitura Bronzata (CASTBAM), rifiniti a mano. | Feet in hammered cast brass, Bronzed finish (CASTBAM), refined by hand.

TREE bar unit

Mobile bar. Struttura in listellare di pioppo italiano, laccato opaco Nuances Bellavista Collection. N.2 ante in laccato opaco o lucido Nuances Bellavista Collection con dettaglio centrale in asse di legno massiccio di Noce o Frassino olivato. Cerniere in ottone, disegnate da Bellavista Collection, finitura Bronzo Antico (OBA) con apertura a 100°. Interni in laccato opaco, stessa finitura dell'esterno. Schienale interno in specchio, N.2 mensole con dettaglio in ottone, finitura Bronzo Antico e n.1 mensola in vetro extrachiaro. N.2 cassetti a frontali rivestiti in cuoio e top in marmo Carrara. Illuminazione a LED ad accensione apertura anta. Piedini in fusione d'ottone martellinato, finitura Bronzata (CASTBAM), rifiniti a mano.

Bar unit. Structure made in Italian poplar blockboard, lacquered matte finish Nuances Bellavista Collection. No.2 doors lacquered matte or glossy finish Nuances Bellavista Collection, with central detail in Solid Walnut or Olive Ashwood. In-house designed hinges, made in brass, Antique Bronze finish (OBA) for 100° door opening. Inner structure in matte finish (the same color of outside) with back in mirror, no.2 shelves with details in brass, Antique Bronze finish (OBA) and no.1 shelf in extra-clear glass. No.2 drawers with frontals padded in belting leather and top in Carrara marble. Door contact switch LED LIGHTS. Feet in hammered cast brass, Bronzed finish (CASTBAM), refined by hand.

D-42-A

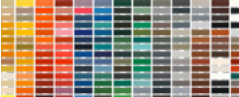


Misure | Size
108x45x H 200cm
(42.5''x17.7''x H 77.7'')

FINITURE STANDARD | STANDARD FINISHES

	NC		Noce Canaletto Naturale Natural American Walnut
	NCS		Noce Canaletto Scuro Dark American Walnut
	NCM		Noce Canaletto Moka Moka American Walnut
	SG		Sucupira Grigio Grey Sukupira
	E		Ebano Ebony
	RG		Rovere Grigio Grey Oak
	RM		Rovere Moka Moka Oak
	RN		Rovere Naturale Natural Oak
	P		Palissandro Rosewood

FIANCHI INTERNI | INNER SIDES

	RAL		Laccato opaco-lucido Matte-glossy lacquered
---	-----	--	--

FRONTALE CASSETTI | FRONTAL DRAWERS

	Cuoio "Sand" Saddle-leather "SAND"
	Cuoio "Caramello" Saddle-leather "CAMEL"
	Cuoio "Rosso" Saddle-leather "RED"
	Cuoio "Caffè" Saddle-leather "CAFFE"
	Cuoio "Testa di moro" Saddle-leather "TESTA DI MORO"